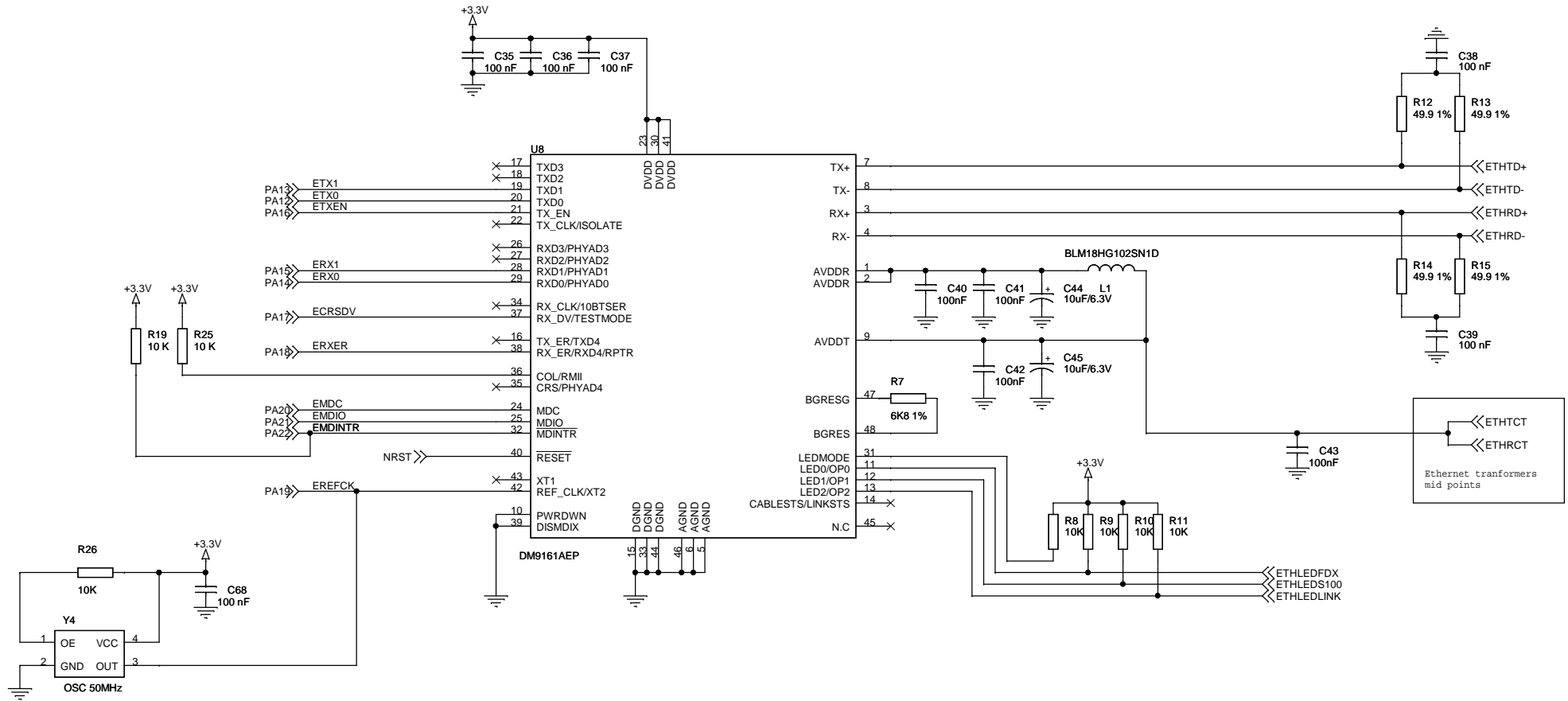
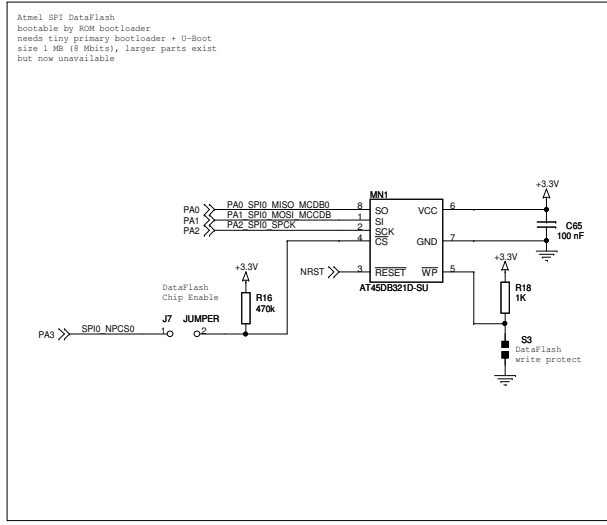
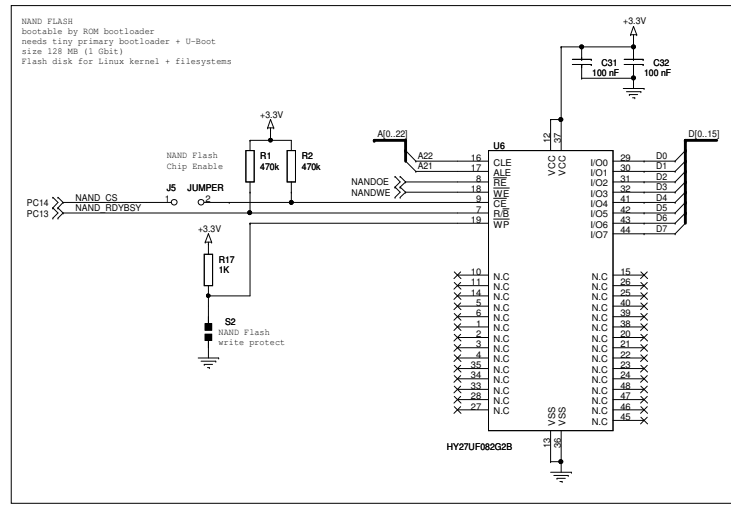
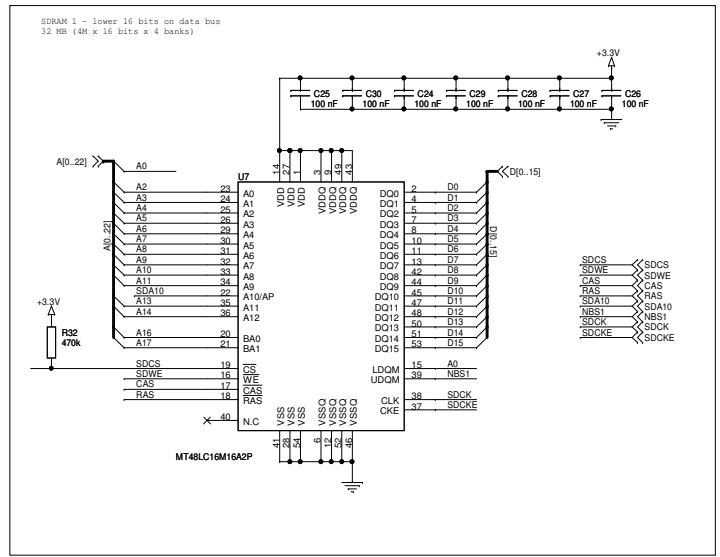
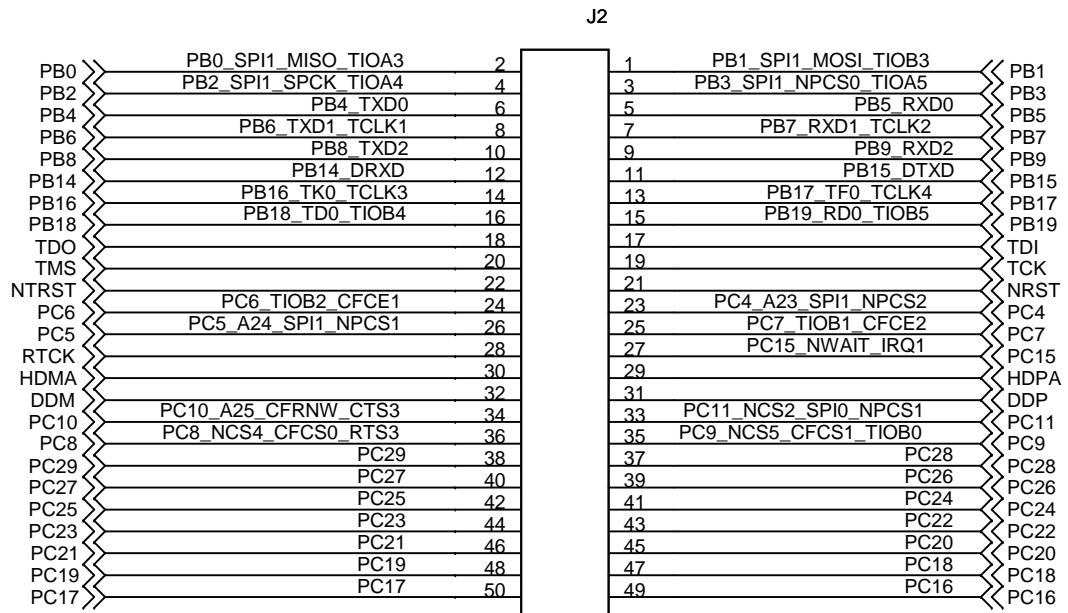


Title		AT91SAM9260 module RM11	
Size	Document Number	Rev 1	
C	1	1	
Date:	Friday, August 26, 2011	Sheet	1 of 1

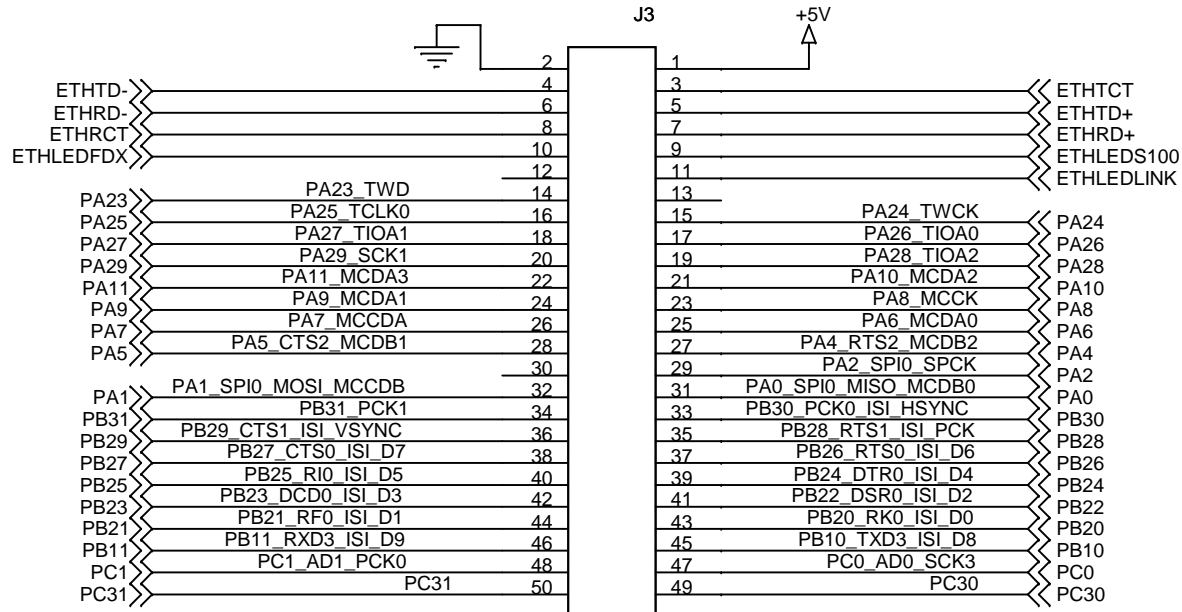


Title		
ETHERNET		
Size	Document Number	Rev
B	1	1
Date:	Monday, March 18, 2013	Sheet 1 of 1





PIHNEAD1



PINHEAD2

Title		
PINHEADS		
Size	Document Number	Rev
A	1	1
Date:	Tuesday, March 19, 2013	Sheet 1 of 1